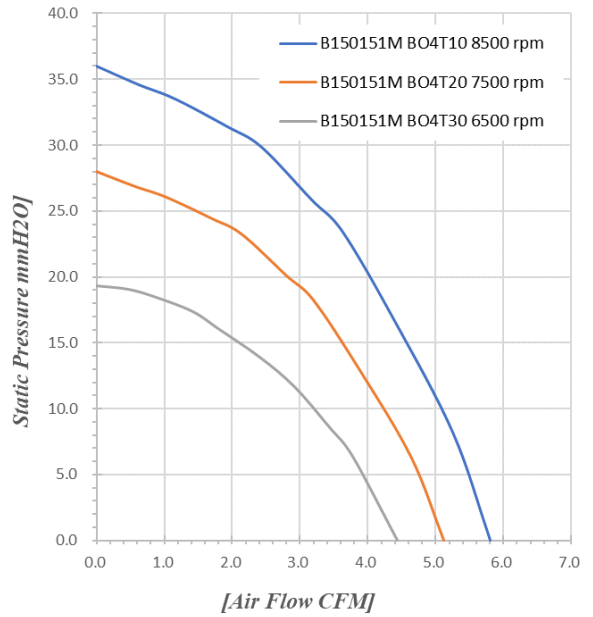
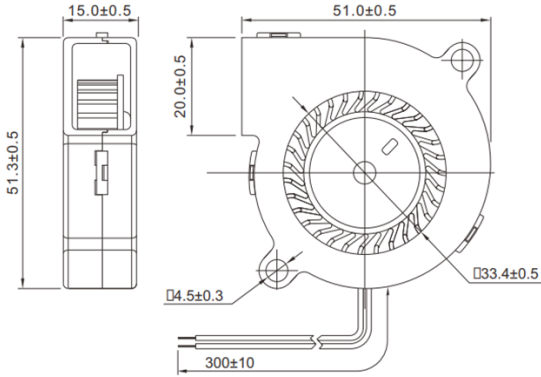


iCar Fan Blower 51*51*15 MM

High Operating Temp. AECQ Series

Reference Spec. MP: 2023/Q3



Product Type	Model No.		Control Type	Bearing Type	Rated Voltage	Operating Voltage Range	Operating Temp.	Speed	Input Current	Input Power	Maximum Air Flow		Maximum Air Pressure		Noise
					VDC	VDC	°C	R.P.M	Amp	Watt	CFM	m ³ /min	inH ₂ O	mmH ₂ O	dB(A)
Blower 5015 12V 95°C AECQ 系列	B150151M	BO4T10	+/-FG/PWM	BALL	12	8~16	-40~95	8500	0.236	2.83	5.8	0.16	1.47	36.0	48.7
	B150151M	BO4T20	+/-FG/PWM	BALL	12	8~16	-40~95	7500	0.162	1.94	5.1	0.15	1.14	28.0	46.0
	B150151M	BO4T30	+/-FG/PWM	BALL	12	8~16	-40~95	6500	0.113	1.35	4.4	0.13	0.79	19.3	42.3
Blower 5015 12V 105°C AECQ 系列	B150151M	BO4U10	+/-FG/PWM	BALL	12	8~16	-40~105	8500	0.236	2.83	5.8	0.16	1.47	36.0	48.7
	B150151M	BO4U20	+/-FG/PWM	BALL	12	8~16	-40~105	7500	0.162	1.94	5.1	0.15	1.14	28.0	46.0
	B150151M	BO4U30	+/-FG/PWM	BALL	12	8~16	-40~105	6500	0.113	1.35	4.4	0.13	0.79	19.3	42.3